



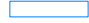



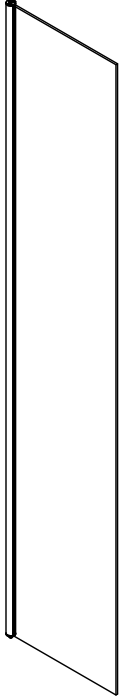
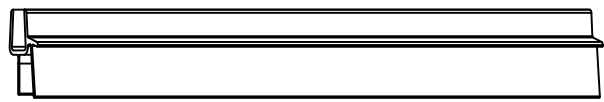


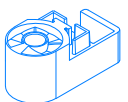
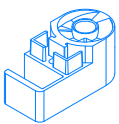


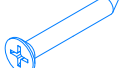
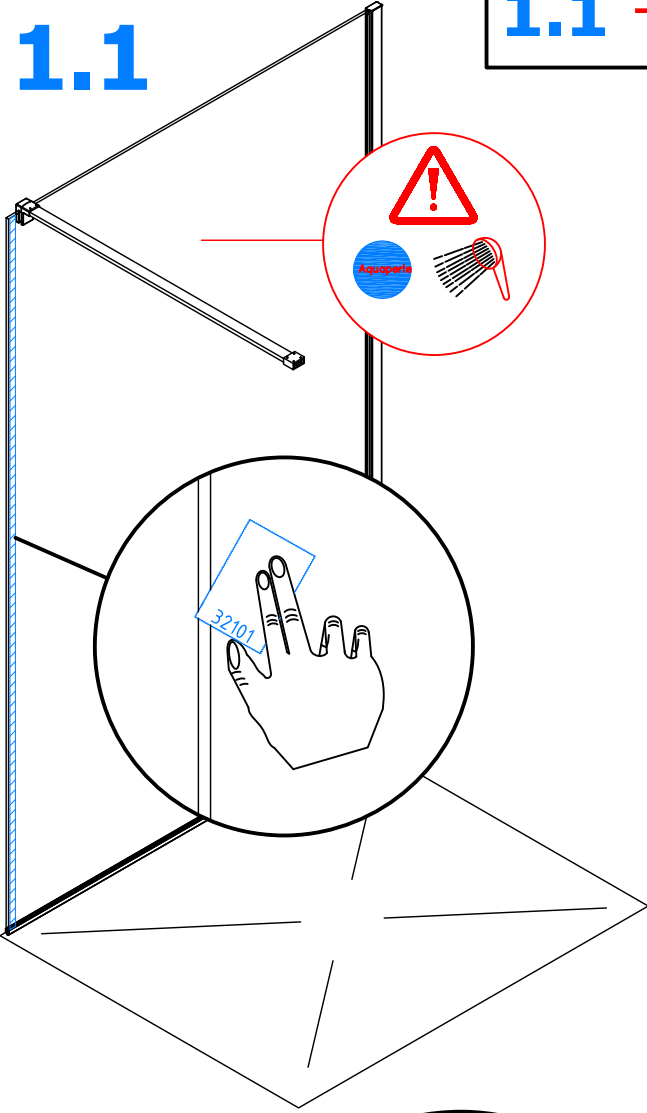
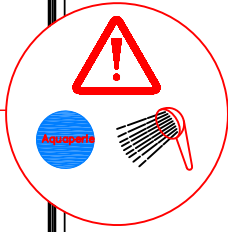
	<p>80027AXX.XXXX</p>  	<p>82021.XXXX</p>  	<p>12476.XXXX</p>  	<p>82015.XXXX</p>  	
	<p>52202.XXX</p>  				

 <p>FITTING PACK</p>	 <p>1 x 84024.XX</p>	 <p>1 x MT0459.XX</p>	 <p>1 x MT0460.XX</p>
	 <p>32101</p> <p>1 x 32101</p>	 <p>1 x 14019 3.5 X 16</p>	 <p>1 x 14013 3.5 X 32</p>

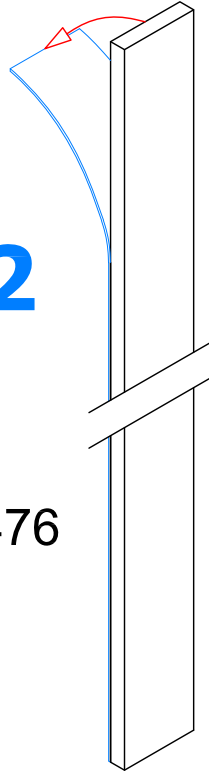
1.1

1.1 → 1.4

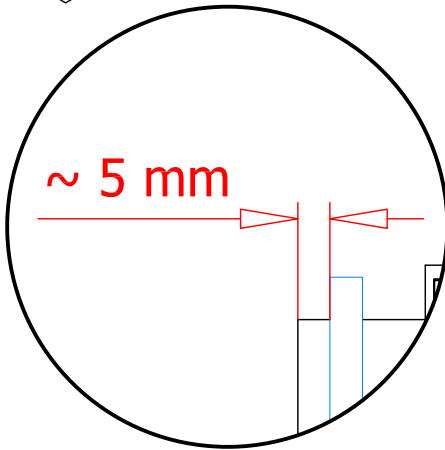
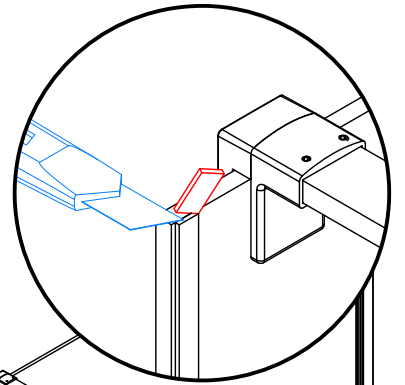


1.2

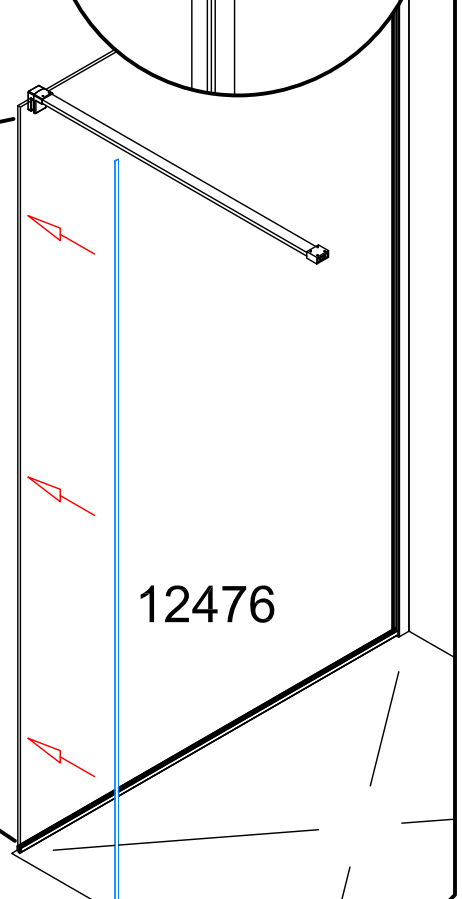
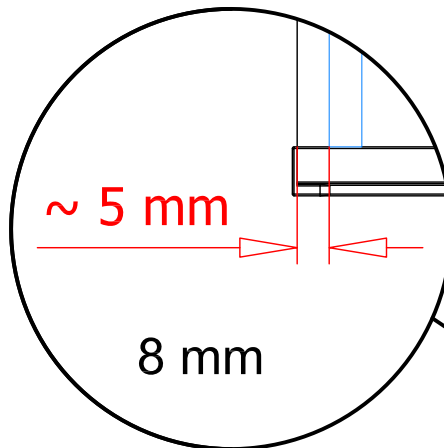
12476



1.4



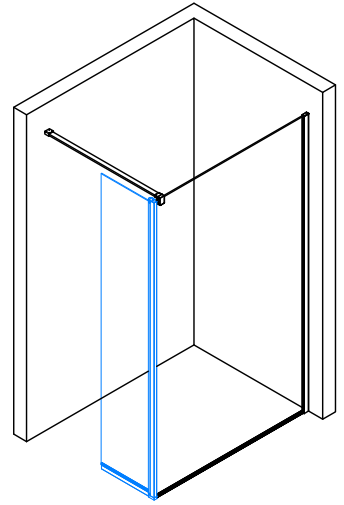
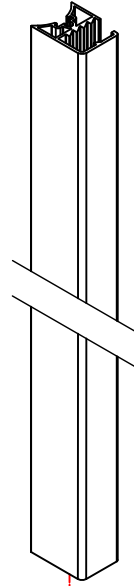
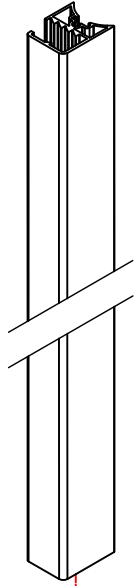
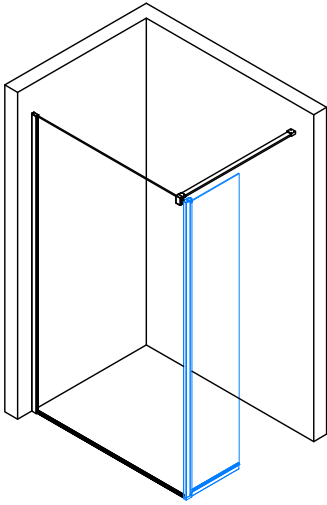
1.3



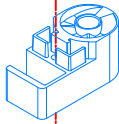
12476

80027AXX.XXXX

2.



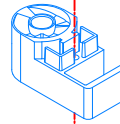
MT0460



14013



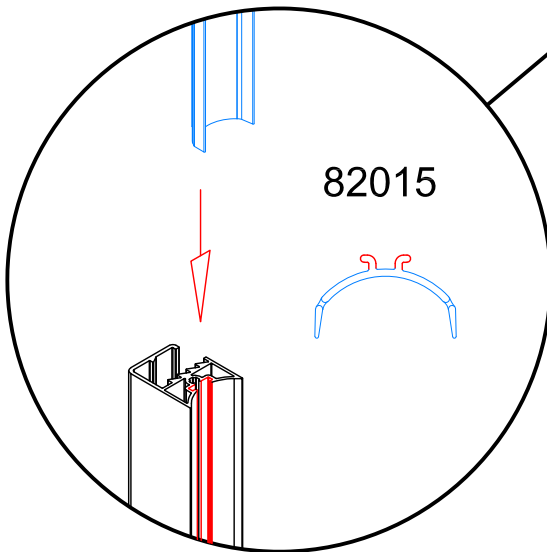
MT0459



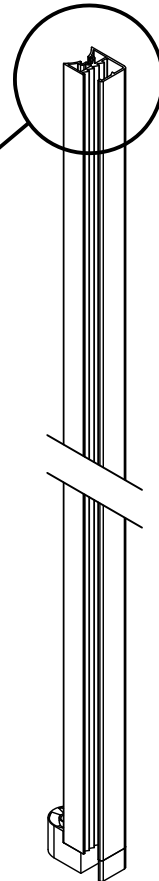
14013



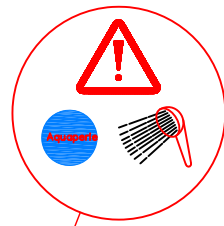
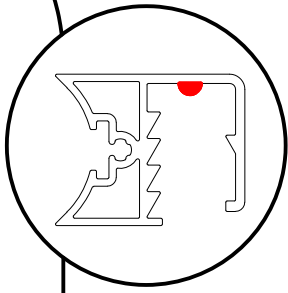
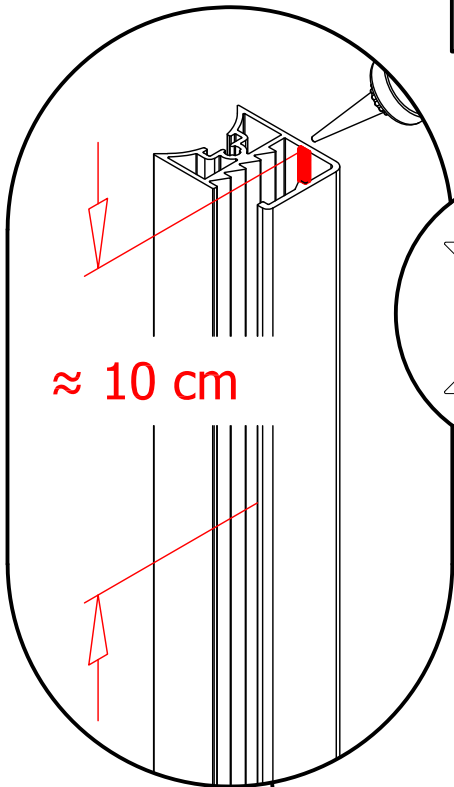
3.



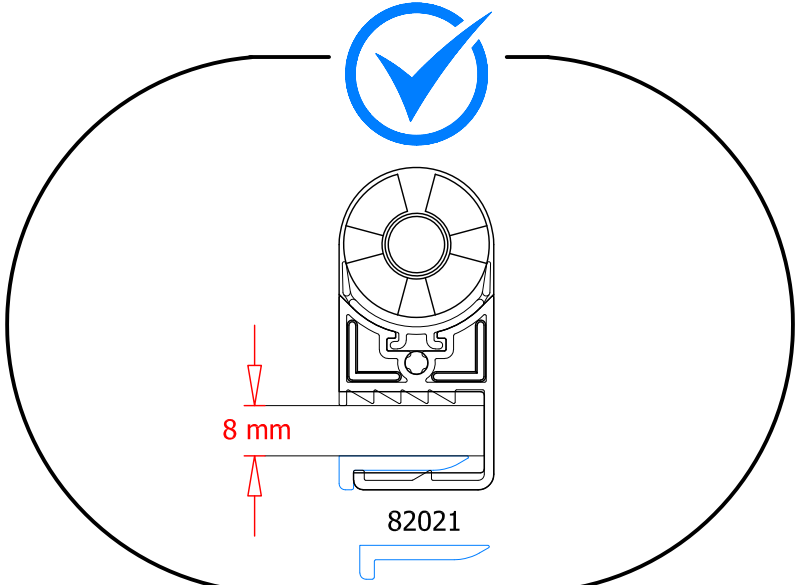
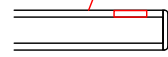
82015



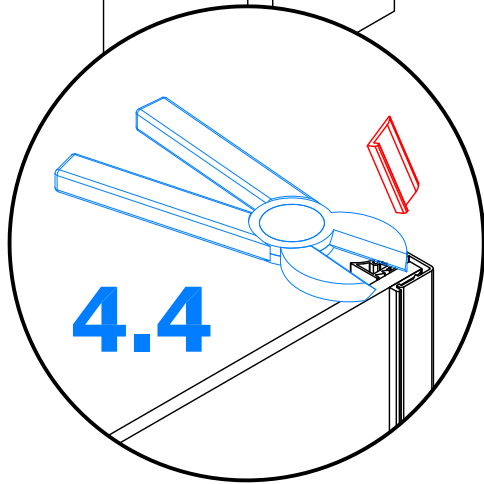
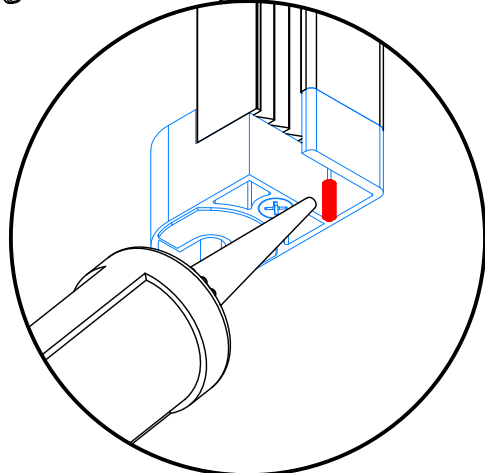
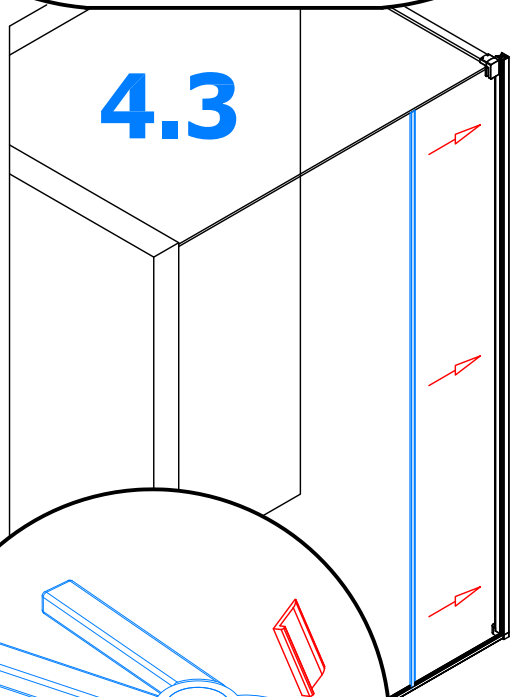
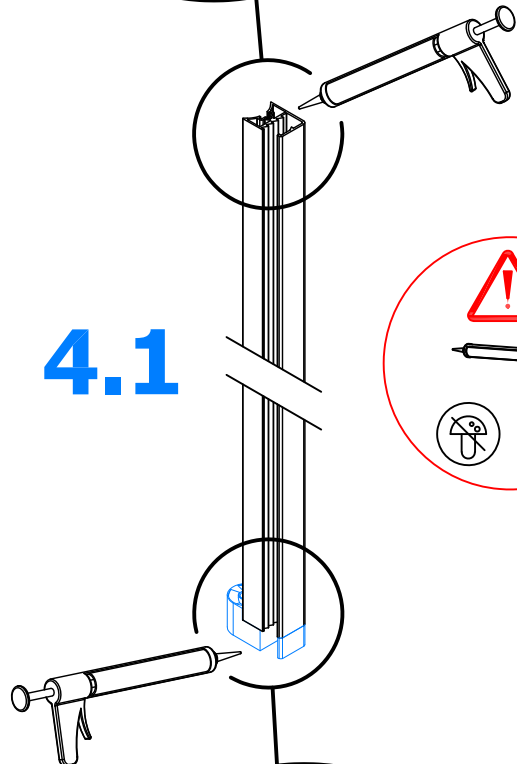
4.1 → 4.4



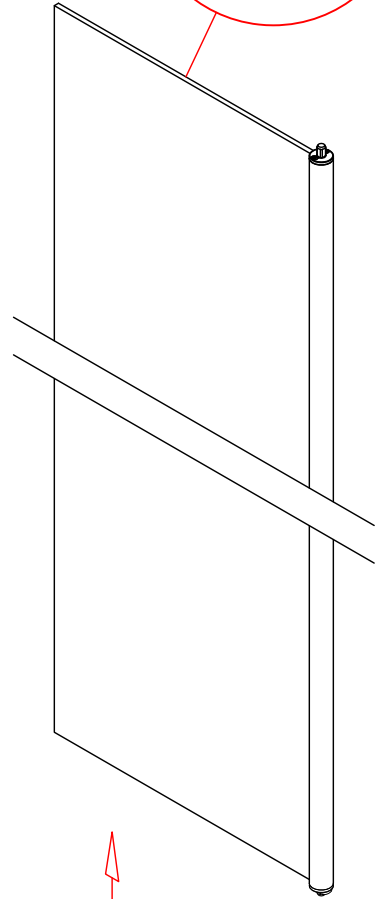
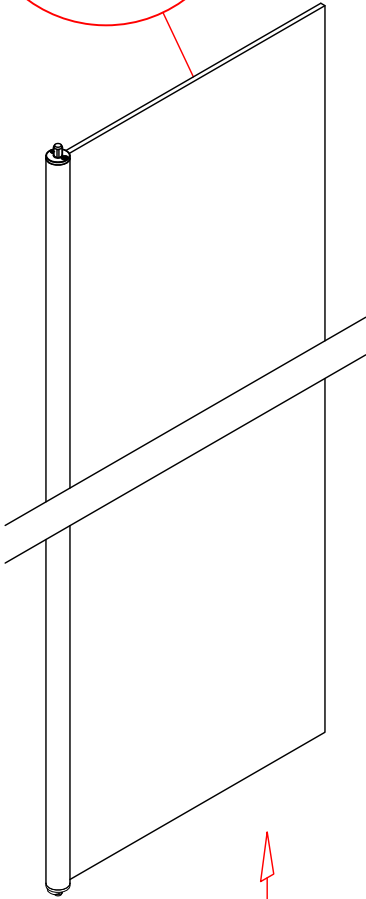
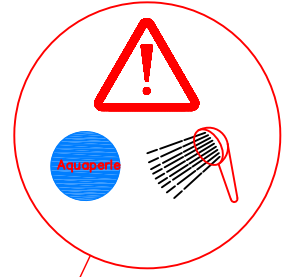
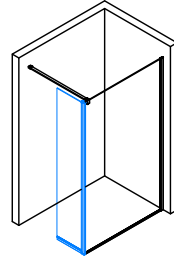
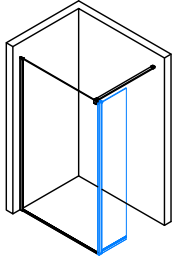
4.2



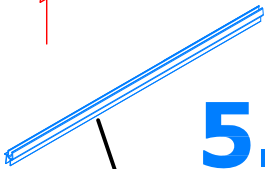
4.1



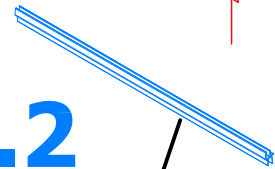
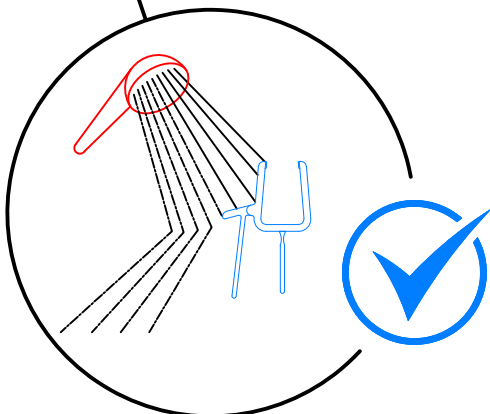
5.1 → 5.2



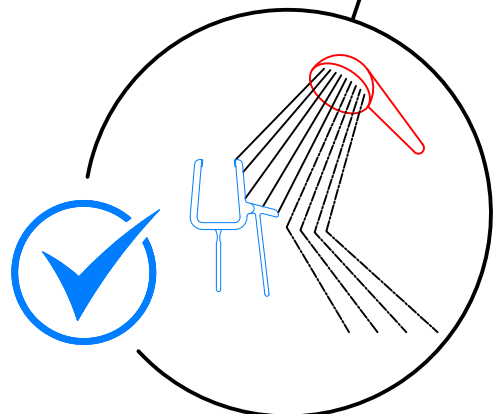
OPTIONAL



5.2



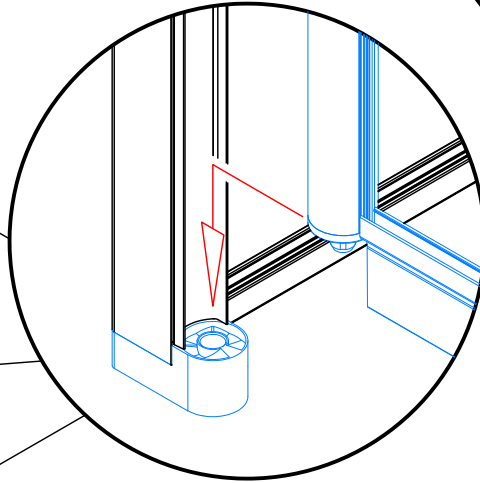
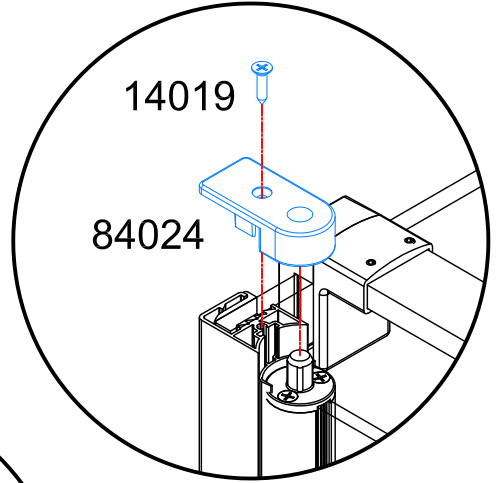
5.2



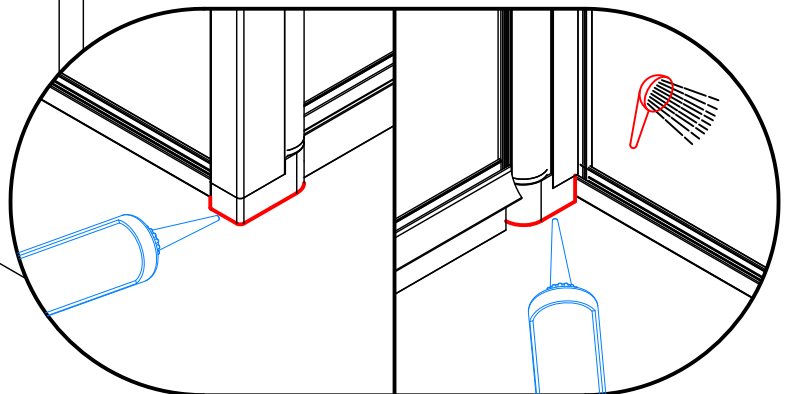
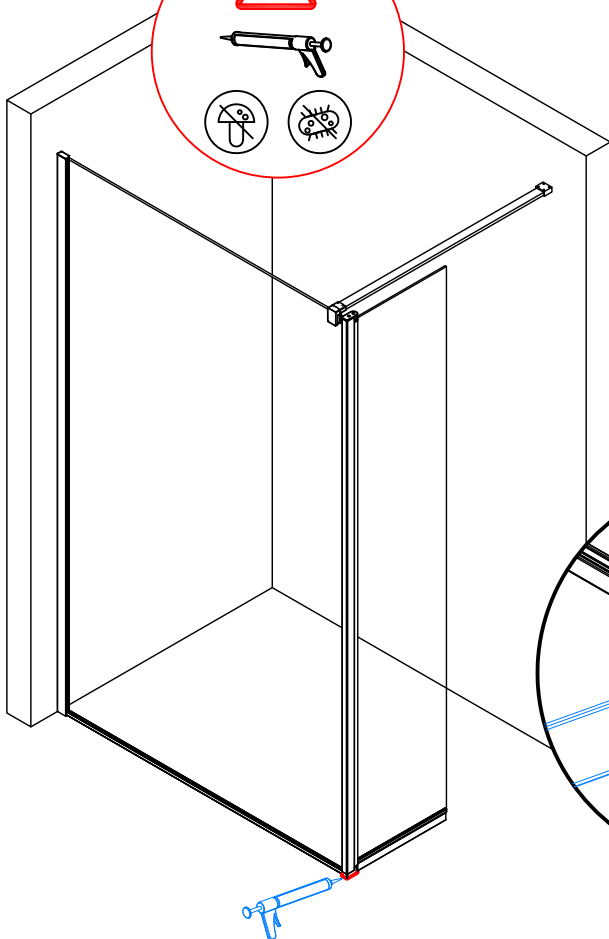
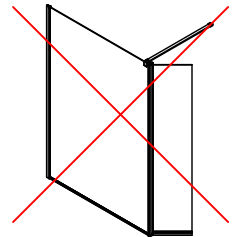
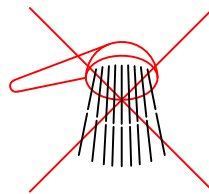
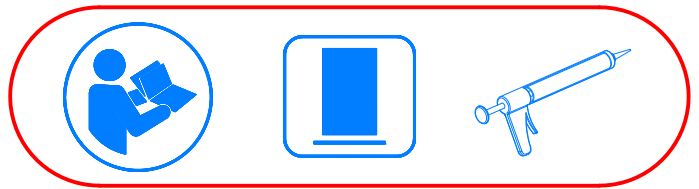
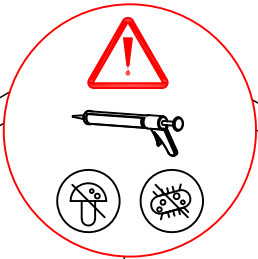
6.1 → 6.2

6.1

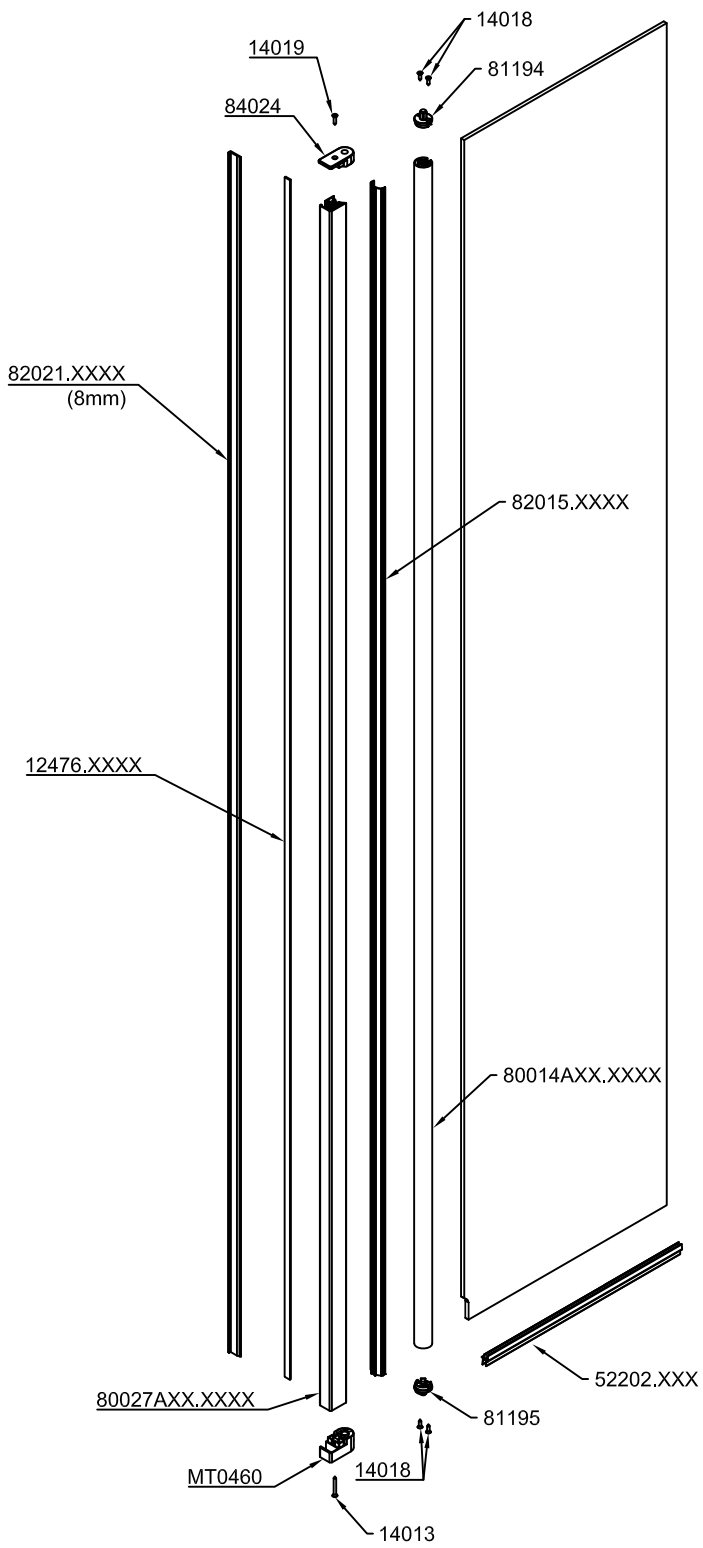
6.2



7.



L



R

